



STANDARD FEATURES

- Premium 18 gauge G90 galvanized steel construction
- AMCA certified aluminum blade fans with TEFC motor standard
- UL listed color correct fluorescent light fixtures
- 20 x 20 Industry standard filters
- 200# sq./ft. steel pit grating
- Product Doors
- Easy nut & bolt assembly with 3D exploded view drawings

INDUSTRIES FOR DOWNDRAFT SPRAY BOOTHS



Aerospace
& Defense



Manufacturing
& Industrial



Automotive



Transit Bus
& Rail



Heavy Equipment
& Fleet Refinish

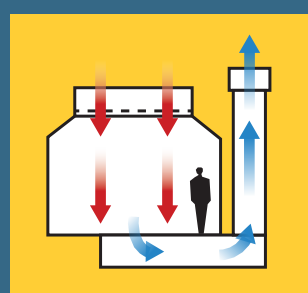


Marine

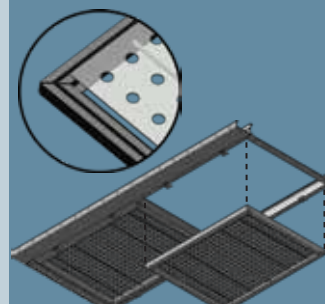
Rohner Full Downdraft Paint Spray Booths provide a superior spray environment for a variety of standard sizes and expandable configurations to meet your industrial parts, truck and large equipment, or custom finishing needs. Our standard Downdraft Spray Booth draws non-pressurized fresh filtered air, from a ceiling-mounted supply plenum, which then flows uniformly over the entire work area and out through a filtered, grated in-floor or above-grade basement exhaust plenum - creating an optimal spray coverage environment.

Rohner Side Downdraft (or Semi-Down) Paint Spray Booths provide a great solution for bringing the advantages of Downdraft airflow into your facility. Our standard Side Downdraft Spray Booth draws non-pressurized fresh filtered air, from a full ceiling supply plenum, which then flows vertically over the entire work area and out through the side wall exhaust plenum - creating a customized airflow.

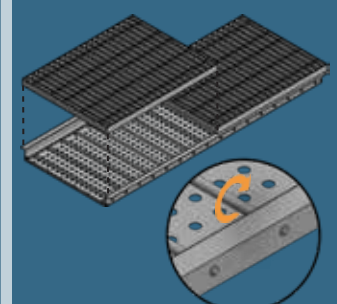
Rohner Full Downdraft and Side Downdraft Paint Spray Booths can be designed for drive-in / back-out applications or for flow-through production lines.



DOWNDRAFT AIRFLOW



36"X44" PREMIUM SUPPLY
FILTER RACK



QUICK CHANGE FILTER
ROLLER SYSTEM

SUPERIOR FINISH

Downdraft booths provide optimal airflow and are the preferred booth style for achieving an ultra-high quality paint finish.

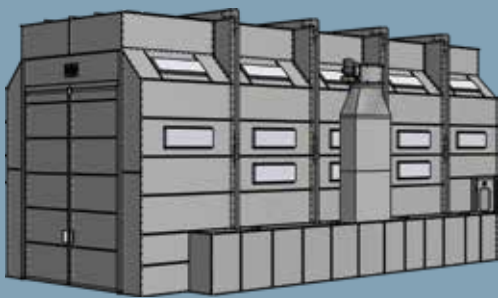
Upgrade to a Rohner exclusive supply blanket filter rack. Intake filter rack comes with a roll-in pinch strip, guaranteeing a 100% seal every time. Upgrade to a Quick Change filter pan for additional labor savings.

Booths are designed to meet or exceed NFPA33 and IFC Chapter 24 requirements. Consult your local authority having jurisdiction for additional requirements before purchasing.

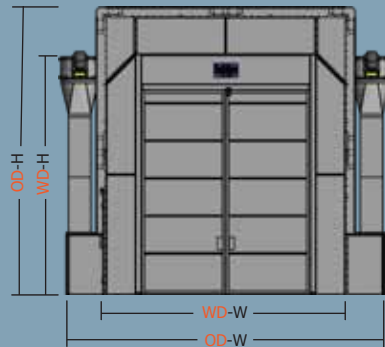
ISD - INDUSTRIAL SEMI-DOWNDRAFT BOOTH

MODEL	Working Dim. (WD)			Working Dim. (WD)			Light Fixtures	Intake Filters	Exhaust Filters	Exhaust Fan Sized at 50FPM @ .85" S.P.
	W	H	D	W	H	D				
14'-0" Wide										
ISD-14-10-24	14'-0"	10'-0"	23'-10"	19'-4"	13'-2"	24'-2"	9	60	40	(2) 30" 3hp - 16,800cfm
ISD-14-10-26	14'-0"	10'-0"	25'-11"	19'-4"	13'-2"	26'-3"	10	60	44	(2) 30" 3hp - 18,200cfm
ISD-14-10-28	14'-0"	10'-0"	27'-11"	19'-4"	13'-2"	28'-3"	10	70	48	(2) 30" 3hp - 19,600cfm
ISD-14-10-30	14'-0"	10'-0"	29'-11"	19'-4"	13'-2"	30'-3"	11	80	52	(2) 30" 3hp - 21,000cfm
ISD-14-10-32	14'-0"	10'-0"	31'-11"	19'-4"	13'-2"	32'-3"	12	80	56	(2) 30" 3hp - 22,400cfm
NPCF	-	-	-	-	-(2'-6")	-	-	-	-	-
PD-10-10	9'-0"	9'-6"	-	10'-0"	8'-0"	-	-	-	-	-
ISD-14-12-24	14'-0"	12'-0"	27'-11"	19'-4"	15'-2"	24'-2"	11	60	40	(2) 30" 3hp - 16,800cfm
ISD-14-12-26	14'-0"	12'-0"	29'-11"	19'-4"	15'-2"	26'-3"	12	60	44	(2) 30" 3hp - 18,200cfm
ISD-14-12-28	14'-0"	12'-0"	31'-11"	19'-4"	15'-2"	28'-3"	12	70	48	(2) 30" 3hp - 19,600cfm
ISD-14-12-30	14'-0"	12'-0"	23'-10"	19'-4"	15'-2"	30'-3"	13	80	52	(2) 30" 3hp - 21,000cfm
ISD-14-12-32	14'-0"	12'-0"	25'-11"	19'-4"	15'-2"	32'-3"	14	80	56	(2) 30" 3hp - 22,400cfm
NPCF	-	-	-	-	-(2'-6")	-	-	-	-	-
PD-10-12	9'-0"	9'-6"	-	10'-0"	10'-0"	-	-	-	-	-
16'-0" Wide										
ISD-16-16-32	16'-0"	16'-0"	31'-11"	21'-4"	19'-2"	32'-3"	21	96	56	(2) 36" 5hp - 25,600cfm
ISD-16-16-40	16'-0"	16'-0"	40'-0"	21'-4"	19'-2"	40'-4"	26	120	64	(4) 30" 3hp - 32,000cfm
ISD-16-16-48	16'-0"	16'-0"	48'-1"	21'-4"	19'-2"	48'-5"	31	144	80	(4) 30" 3hp - 38,400cfm
ISD-16-16-56	16'-0"	16'-0"	56'-2"	21'-4"	19'-2"	56'-6"	36	168	96	(4) 36" 3hp - 44,800cfm
ISD-16-16-60	16'-0"	16'-0"	60'-3"	21'-4"	19'-2"	60'-7"	36	180	104	(4) 36" 5hp - 48,000cfm
NPCF	-	-	-	-	-(2'-6")	-	-	-	-	-
PD-12-12	11'-0"	11'-6"	-	12'-0"	12'-0"	-	-	-	-	-
18'-0" Wide										
ISD-18-16-32	18'-0"	16'-0"	31'-11"	23'-4"	19'-2"	32'-3"	24	112	56	(2) 36" 5hp - 28,800cfm
ISD-18-16-40	18'-0"	16'-0"	40'-0"	23'-4"	19'-2"	40'-4"	29	140	90	(4) 30" 3hp - 36,000cfm
ISD-18-16-48	18'-0"	16'-0"	48'-1"	23'-4"	19'-2"	48'-5"	35	168	106	(4) 36" 3hp - 43,200cfm
ISD-18-16-56	18'-0"	16'-0"	56'-2"	23'-4"	19'-2"	56'-6"	41	196	122	(4) 36" 5hp - 50,400cfm
ISD-18-16-60	18'-0"	16'-0"	60'-3"	23'-4"	19'-2"	60'-7"	44	210	138	(4) 36" 5hp - 54,000cfm
NPCF	-	-	-	-	-(2'-6")	-	-	-	-	-
PD-14-12	13'-0"	11'-6"	-	14'-0"	12'-0"	-	-	-	-	-
20'-0" Wide										
ISD-20-16-32	20'-0"	16'-0"	31'-11"	25'-4"	19'-2"	32'-3"	26	128	78	(2) 48" 5hp - 32,000cfm
ISD-20-16-40	20'-0"	16'-0"	40'-0"	25'-4"	19'-2"	40'-4"	32	160	96	(4) 48" 3hp - 40,000cfm
ISD-20-16-48	20'-0"	16'-0"	48'-1"	25'-4"	19'-2"	48'-5"	39	192	120	(4) 48" 5hp - 48,000cfm
ISD-20-16-56	20'-0"	16'-0"	56'-2"	25'-4"	19'-2"	56'-6"	45	224	144	(4) 48" 5hp - 56,000cfm
ISD-20-16-60	20'-0"	16'-0"	60'-3"	25'-4"	19'-2"	60'-7"	48	240	156	(4) 48" 5hp - 60,000cfm
NPCF	-	-	-	-	-(2'-6")	-	-	-	-	-
PD-16-12	15'-0"	11'-6"	-	16'-0"	12'-0"	-	-	-	-	-

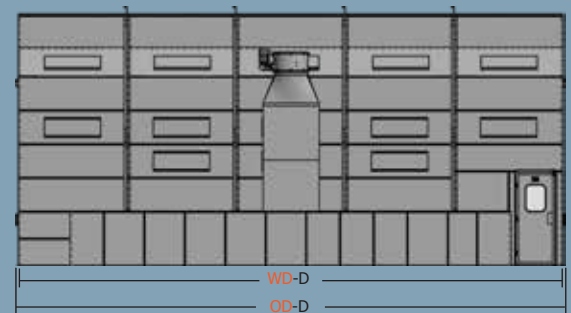
PERSPECTIVE VIEW



FRONT VIEW



SIDE VIEW



NOTE: Model shown includes lower side wall plenums (exhaust) and pressurized ceiling (intake)

TABLE LEGEND

ISD = Industrial Semi-Downdraft Booth: Booth comes standard with lower side wall plenums (exhaust) and pressurized ceiling plenum (intake).

NPCF = Non-Pressurized CEILING Filters: Ceiling Plenum is removed and air is passively pulled through ceiling filters, reduced overall height.

PD = Product Doors. Optional: Standard, Filtered, Bi-fold, or Tri-fold, Roll-up, or Sliding.

Standard Motors: 1hp and greater are 230/460V three phase, fractional hp motors are 115/230V single phase. Additional motor configurations available.



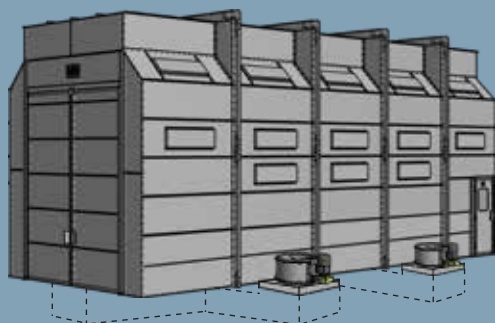
www.rohner-usa.com

888-885-7641

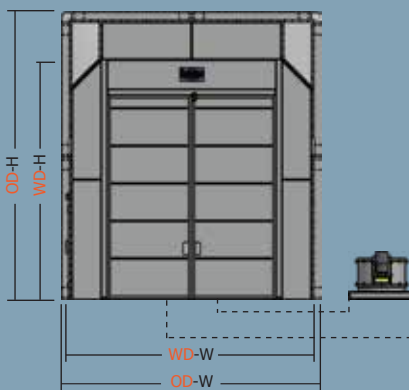
IDD - INDUSTRIAL DOWNDRAFT BOOTH

MODEL	Working Dim. (WD)			Working Dim. (WD)			Light Fixtures	Intake Filters	Exhaust Filters	Exhaust Fan Sized at 50FPM @ .85" S.P.
	W	H	D	W	H	D				
14'-0" Wide										
IDD-14-10-24	14'-0"	10'-0"	23'-10"	15'-4"	13'-2"	24'-2"	9	60	40	(1) 42" 5hp - 16,800cfm
IDD-14-10-26	14'-0"	10'-0"	25'-11"	15'-4"	13'-2"	26'-3"	10	60	44	(1) 42" 7.5hp - 18,200cfm
IDD-14-10-28	14'-0"	10'-0"	27'-11"	15'-4"	13'-2"	28'-3"	10	70	48	(1) 42" 7.5hp - 19,600cfm
IDD-14-10-30	14'-0"	10'-0"	29'-11"	15'-4"	13'-2"	30'-3"	11	80	52	(1) 42" 7.5hp - 21,000cfm
IDD-14-10-32	14'-0"	10'-0"	31'-11"	15'-4"	13'-2"	32'-3"	12	80	56	(1) 42" 7.5hp - 22,400cfm
NPCF	-	-	-	-	-(2'-6")	-	-	-	-	-
PD-10-10	9'-0"	7'-6"	-	10'-0"	8'-0"	-	-	-	-	-
IDD-14-12-24	14'-0"	12'-0"	27'-11"	15'-4"	15'-2"	24'-2"	11	60	40	(1) 42" 5hp - 16,800cfm
IDD-14-12-26	14'-0"	12'-0"	29'-11"	15'-4"	15'-2"	26'-3"	12	60	44	(1) 42" 7.5hp - 18,200cfm
IDD-14-12-28	14'-0"	12'-0"	31'-11"	15'-4"	15'-2"	28'-3"	12	70	48	(1) 42" 7.5hp - 19,600cfm
IDD-14-12-30	14'-0"	12'-0"	23'-10"	15'-4"	15'-2"	30'-3"	13	80	52	(1) 42" 7.5hp - 21,000cfm
IDD-14-12-32	14'-0"	12'-0"	25'-11"	15'-4"	15'-2"	32'-3"	14	80	56	(1) 42" 7.5hp - 22,400cfm
NPCF	-	-	-	-	-(2'-6")	-	-	-	-	-
PD-10-12	9'-0"	9'-6"	-	10'-0"	10'-0"	-	-	-	-	-
16'-0" Wide										
IDD-16-16-32	16'-0"	16'-0"	31'-11"	17'-4"	19'-2"	32'-3"	21	96	56	(1) 42" 10hp - 25,600cfm
IDD-16-16-40	16'-0"	16'-0"	40'-0"	17'-4"	19'-2"	40'-4"	26	120	64	(2) 42" 7.5hp - 32,000cfm
IDD-16-16-48	16'-0"	16'-0"	48'-1"	17'-4"	19'-2"	48'-5"	31	144	80	(2) 42" 7.5hp - 38,400cfm
IDD-16-16-56	16'-0"	16'-0"	56'-2"	17'-4"	19'-2"	56'-6"	36	168	96	(2) 42" 10hp - 44,800cfm
IDD-16-16-60	16'-0"	16'-0"	60'-3"	17'-4"	19'-2"	60'-7"	36	180	104	(2) 42" 10hp - 48,000cfm
NPCF	-	-	-	-	-(2'-6")	-	-	-	-	-
PD-12-12	11'-0"	11'-6"	-	12'-0"	12'-0"	-	-	-	-	-
18'-0" Wide										
IDD-18-18-32	18'-0"	16'-0"	31'-11"	19'-8"	19'-2"	32'-3"	24	112	56	(1) 48" 10hp - 28,800cfm
IDD-18-16-40	18'-0"	16'-0"	40'-0"	19'-8"	19'-2"	40'-4"	29	140	90	(2) 42" 7.5hp - 36,000cfm
IDD-18-16-48	18'-0"	16'-0"	48'-1"	19'-8"	19'-2"	48'-5"	35	168	106	(2) 36" 7.5hp - 43,200cfm
IDD-18-16-56	18'-0"	16'-0"	56'-2"	19'-8"	19'-2"	56'-6"	41	196	122	(2) 36" 10hp - 50,400cfm
IDD-18-16-60	18'-0"	16'-0"	60'-3"	19'-8"	19'-2"	60'-7"	44	210	138	(2) 36" 10hp - 54,000cfm
NPCF	-	-	-	-	-(2'-6")	-	-	-	-	-
PD-14-12	13'-0"	11'-6"	-	14'-0"	12'-0"	-	-	-	-	-
20'-0" Wide										
IDD-20-16-32	20'-0"	16'-0"	31'-11"	21'-8"	19'-2"	32'-3"	26	128	78	(2) 42" 5hp - 32,000cfm
IDD-20-16-40	20'-0"	16'-0"	40'-0"	21'-8"	19'-2"	40'-4"	32	160	96	(2) 42" 7.5hp - 40,000cfm
IDD-20-16-48	20'-0"	16'-0"	48'-1"	21'-8"	19'-2"	48'-5"	39	192	120	(2) 42" 10hp - 48,000cfm
IDD-20-16-56	20'-0"	16'-0"	56'-2"	21'-8"	19'-2"	56'-6"	45	224	144	(2) 42" 10hp - 56,000cfm
IDD-20-16-60	20'-0"	16'-0"	60'-3"	21'-8"	19'-2"	60'-7"	48	240	156	(2) 48" 10hp - 60,000cfm
NPCF	-	-	-	-	-(2'-6")	-	-	-	-	-
PD-16-12	15'-0"	11'-6"	-	16'-0"	12'-0"	-	-	-	-	-

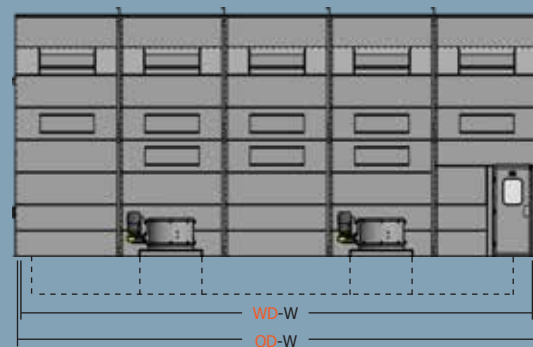
PERSPECTIVE VIEW



FRONT VIEW



SIDE VIEW



NOTE: Model shown includes concrete pit (exhaust) and pressurized ceiling (intake).

TABLE LEGEND

IDD = Industrial Downdraft Booth: Comes standard with filter pans, adjustable baffles, and the Quick Change roller system (exhaust); pressurized ceiling plenum (intake).

NPCF = Non-Pressurized Ceiling Filters: Ceiling Plenum is removed and air is passively pulled through ceiling filters, reduced overall height.

PD = Product Doors. Optional: Standard, Filtered, Bi-fold, or Tri-fold, Roll-up, or Sliding.

Standard Motors: 1hp and greater are 230/460V three phase, fractional hp motors are 115/230V single phase. Additional motor configurations available.



www.rohner-usa.com
888-885-7641

DOWNDRAFT SPECIFICATIONS

ROOM DESIGN	STD.	OPT.	ROOM DESIGN	STD.	OPT.
20" x 20" Exhaust Filter frames with wire grids	✓		3' x 7' Personnel access door with 18" x 24" tempered glass window		✓
18 Gauge galvanized construction	✓		NESHAP compliant multistage filter system		✓
Spark resistant tube axial fan w/ TEFC motor	✓		Quick Change Filter Roller System		✓
High static exhaust fan		✓	Dual entry (drive through) product doors		✓
Powder coated white finish		✓	36" x 44" Premium Supply Filter Rack		✓
Class I Div. II sealed inside access light fixtures with color correct lamps	✓		Heated makeup air unit (M.A.U.)		✓

DOWNDRAFT/SIDE-DOWNDRAFT DIAGRAM

Model Number = (Ex: ISD-LSWP-14-12-24-CP)

ISD = Class & Booth Type

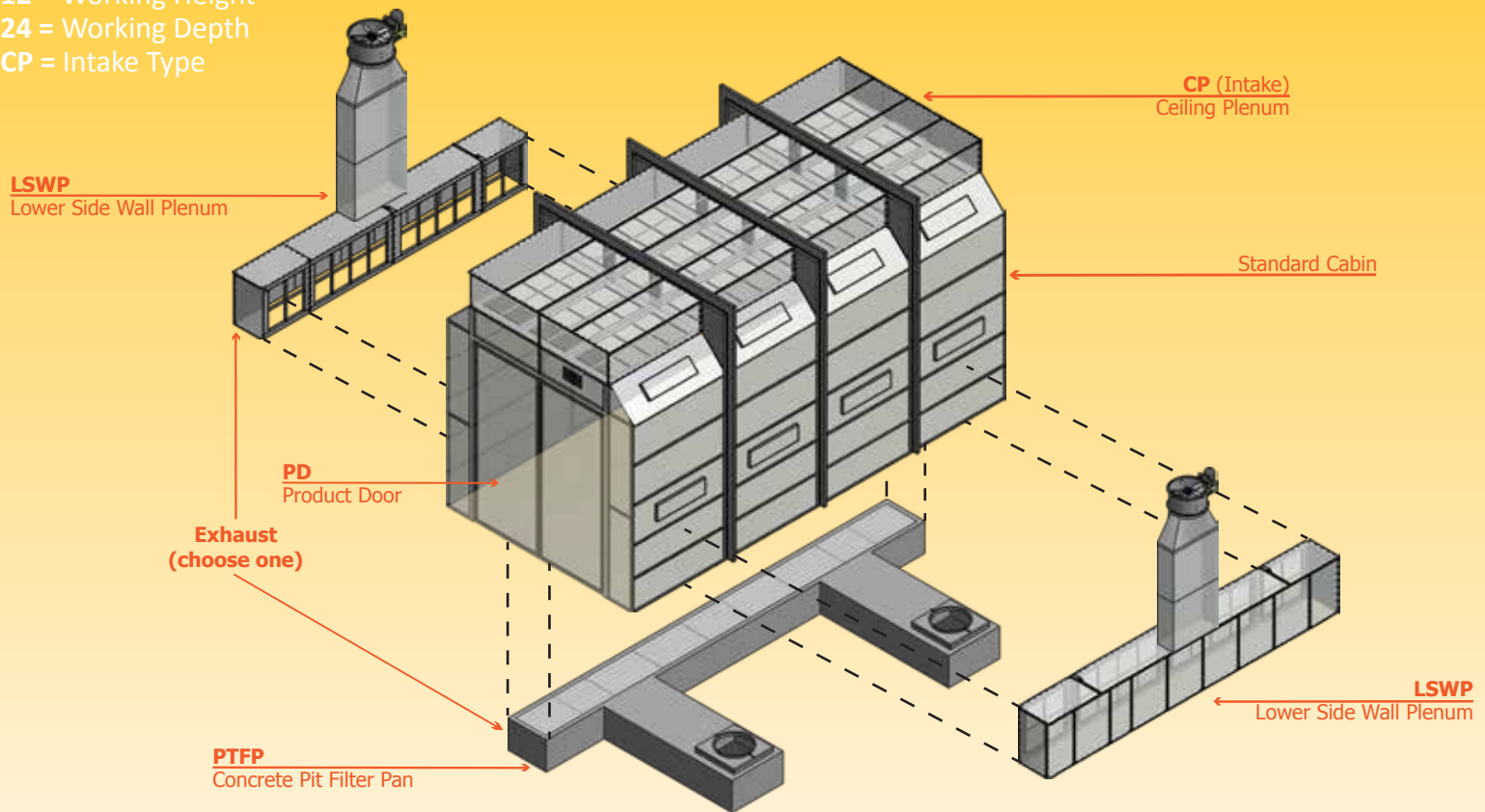
LSWP = Exhaust Type

14 = Working Width

12 = Working Height

24 = Working Depth

CP = Intake Type



NOTE: Personnel doors are available on cabin sections. Product doors are available in Double Swing, Filtered, Bi-fold, Tri-fold, or Roll-up models.

Booth Exhaust Plenums and filters are designed for particulate removal only! Volatile organic compounds (V.O.C.) removal requires optional equipment.

Specifications and designs are subject to change, and substitutions without notice are at the manufacturer's sole discretion. Customer is responsible for determining the suitability of the equipment for its intended use. Additional equipment or modifications may be required to meet local building and process-specific regulatory codes and are the responsibility of the Customer.



www.rohner-usa.com

888-885-7641